

HTS Series 8 Flood/Shoebox Light (LFL)

Energy Efficient LED Lighting
400+ Watt replacement

FEATURED HIGHLIGHTS

- *Unlimited application possibilities due to retrofitting
- *Saves up to 79% of energy consumption
- *100,000 hour lifespan 5yr. Manufacturers registered warranty
- *Return on Investment between 18 to 40 months.

ENVIRONMENTAL FEATURES

- *Contains no mercury or lead
- *Does not produce UV rays
- *Does not attract insects
- *Directional light means no light pollution

ELECTRICAL SPECIFICATIONS

- *47 to 63 Hertz ac line power voltage from 90 VAC RMS to 277 VAC RMS
- *Available to 480 VAC
- *Nominal operating efficiency is 85% typical at 230 VAC and maximum load
- *Driver provides surge protection at 305 VAC
- *Power distributed to onboard drivers per six LED lights

SPECIFICATIONS

- **UL and CUL rated #E326977
- **MADE IN THE U.S.A

The HTS 8 Flood Light and Shoe Box Series were specifically designed for the parking lot industry. Its superior heat management and compact design make it ideal, 10+ years of maintenance free service.

OUTPUT SPECIFICATIONS

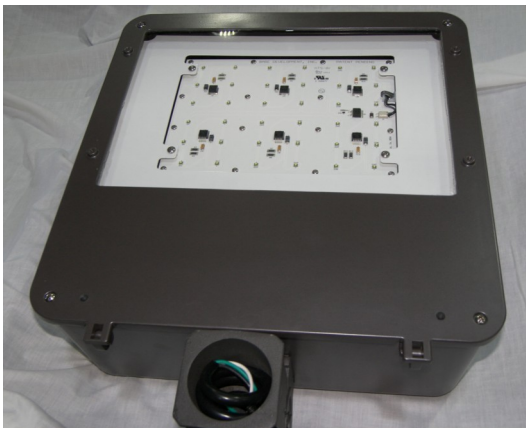
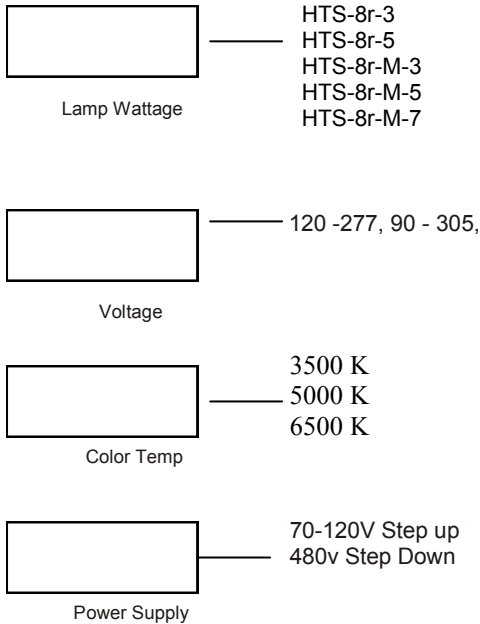
- *Cree High Output LEDs
- *Number of Lights 36
- *Source power 88Watts
- *CRI 74
- *Lumens 7600 at 100%
- *Efficacy 81.73 LM/W
- *Junction Temperature <60°C
- *IESNA Tested LM79 & LM80
- *Operating Range -30°C to 70°C
- *Nominal Lumens per watt 92
- *EMC: Complaint to 47 CFR, part 2, 15

ASSEMBLY

- *Metal Core Board
- *One piece aluminum heat sink dissipates heat
- *Vibration resistant
- *ASTM and NEMA Tested

APPLICATIONS

- *Parking lots
- *Schools



Dimensions

Weights: 22 lbs (with power supply and LED board)
16.5" X 16.5" X 6.89"

Issue Date: 5/20/11

Supersede Date: 4/22/11

