

HTS Series 8

Energy Efficient LED Lighting

320 to 400+ Watt replacement

FEATURED HIGHLIGHTS

- *Unlimited application possibilities due to retrofitting
- *Saves up to 79% of energy consumption
- *100,000 hour lifespan 5yr. Manufacturers registered warranty
- *Return on Investment between 18 to 40 months.

ENVIRONMENTAL FEATURES

- *Contains no mercury or lead
- *Does not produce UV rays
- *Does not attract insects
- *Directional light means no light pollution

ELECTRICAL SPECIFICATIONS

- *47 to 63 Hertz ac line power voltage from 90 VAC RMS to 277 VAC RMS
- *Available to 480 VAC
- *Nominal operating efficiency is 85% typical at 230 VAC and maximum load
- *Driver provides surge protection at 305 VAC
- *Power distributed to onboard drivers per six LED lights

SPECIFICATIONS

- **UL and CUL rated #E326977
- **MADE IN THE U.S.A

The HTS 8 Series was specifically designed for the service station and parking lot industry. Its superior heat management and compact design make it ideal for retrofitting existing fixtures commonly found in these environments.

OUTPUT SPECIFICATIONS

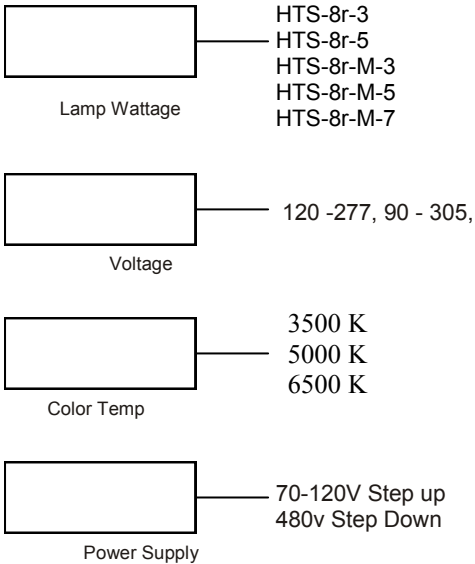
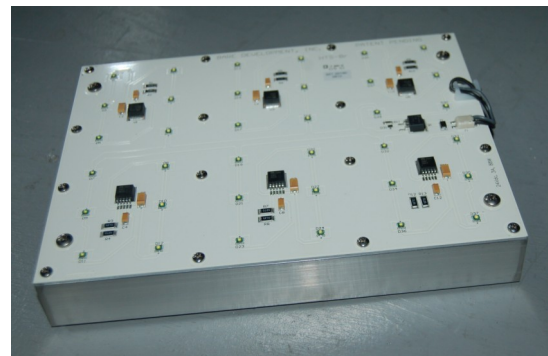
- *Cree High Output LEDs
- *Number of Lights **36**
- *Source power **88 Watts**
- *CRI **74**
- *Lumens **7600 at 100%**
- *Efficacy **81.85 LM/W**
- *Junction Temperature **<60°C**
- *IESNA Tested **LM79 & LM80**
- *Operating Range **-30°C to 70°C**
- *Nominal Lumens per watt **92**
- *EMC: Complaint to 47 CFR, part 2, 15
- *Viewing Angle **125°**

ASSEMBLY

- *Metal Core Board
- *One piece aluminum heat sink dissipates heat
- *Vibration resistant
- *ASTM and NEMA Tested

APPLICATIONS

- *Roadway Lighting
- *High Bay Fixtures
- *Parking Garages
- *Parking lots
- *Gas Station Canopies



Dimensions

Weight: 8 lbs. (with power supply)
10" X 7.25" X 1.50"

Issue Date: 5/20/11
Supersede Date: 4/22/11

