

HTS Series 9 Cut-Off Wall Pack (MCWP)

Energy Efficient LED Lighting
150-250 Watt replacement

FEATURED HIGHLIGHTS

- *Unlimited application possibilities due to retrofiting
- *Saves up to 79% of energy consumption
- *100,000 hour lifespan 5yr. Manufacturers registered warranty
- *Return on Investment between 18 to 40 months.

ENVIRONMENTAL FEATURES

- *Contains no mercury or lead
- *Does not produce UV rays
- *Does not attract insects
- *Directional light means no light pollution

ELECTRICAL SPECIFICATIONS

- *47 to 63 Hertz ac line power voltage from 90 VAC RMS to 277 VAC RMS
- *Available to 480 VAC
- *Nominal operating efficiency is 85% typical at 230 VAC and maximum load
- *Driver provides surge protection at 305 VAC
- *Power distributed to onboard drivers per six LED lights

SPECIFICATIONS

- **UL and CUL rated #E326977
- **MADE IN THE U.S.A

Our HTS 9 Cut-Off Wall pack fixtures utilize the HTS-9 boards for optimal lighting. Its superior heat management and compact design make it ideal for replacement fixtures, 10+ years maintenance free service.

OUTPUT SPECIFICATIONS

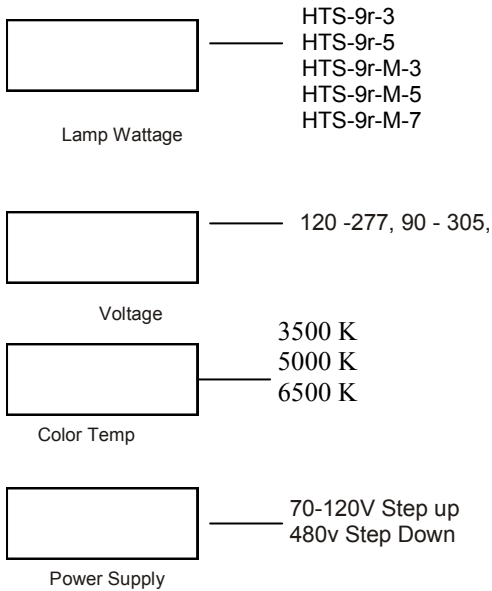
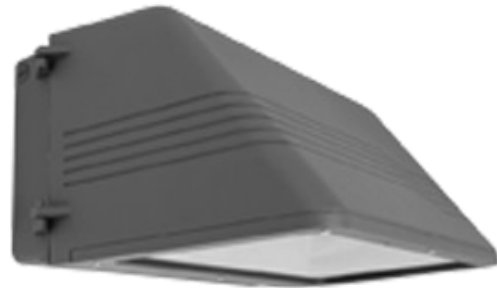
- *Cree High Output LEDs
- *Number of Lights **24**
- *Source power **59 Watts**
- *CRI **74**
- *Lumens **5066 at 100%**
- *Efficacy **81.85 LM/W**
- *Junction Temperature **<60°C**
- *IESNA Tested **LM79 & LM80**
- *Operating Range **-30°C to 70°C**
- *Nominal Lumens per watt **92**
- *EMC: Complaint to 47 CFR, part 2, 15

ASSEMBLY

- *Metal Core Board
- *One piece aluminum heat sink dissipates heat
- *Vibration resistant
- *ASTM and NEMA Tested

APPLICATIONS

- *Wall packs
- *Exterior
- *Safety
- *Security



Dimensions

Weight: 17lbs (with LED Board and power supply)
14.2" x 11.5" x 9.1"

Issue Date: 5/20/11

Supersede Date: 4/22/11

